

74 Series TTL *See outline drawings Nos. 109, 111 or 114 (as applicable for 14 pin, 16 pin package etc.) for physical dimensions.*

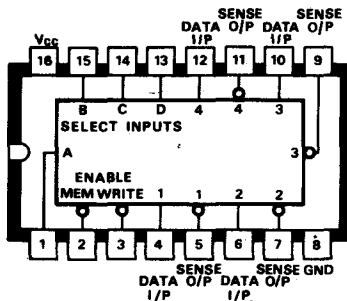
REFERENCE TABLE Code	Function	Stock No.	Connection Diagram No.
DM7427N	Triple 3 NOR Gate	33005X	B24
DM7430N	Eight Input NAND Gate	19603A	B26
DM7432N	Quad 2 OR Gate	29347B	B27
DM7437N	Quad 2 NAND Buffer	33006R	B29
DM7438N	Quad 2 NAND Buffer (Open Collector)	33007G	B30
DM7440N	Dual 4 NAND Buffer	19604X	B31
DM7441AN	Nixie Driver	19632B	B32
DM7442N	BCD To Decimal Decoder	19633X	B33
DM7445N	BCD To Decimal Decoder/Driver	29350A	B36
DM7446N	BCD To 7-Segment Decoder Driver	29351X	B37
DM7446AN	40MA Version of DM7446N	33008E	B37
DM7447N	BCD To 7-Segment Decoder Driver	29390G	B38
DM7447AN	40MA Version of DM7447N	33009C	B38
DM7448N	BCD To 7-Segment Decoder/Driver	29352H	B39
DM7450N	EXP Dual 2-Input AND-OR-INVERT Gate	19635G	B40
DM7451N	Dual 2-Input AND-OR-INVERT Gate	19605H	B41
DM7453N	EXP 2-Input AND-OR-INVERT Gate	19606F	B43
DM7454N	2-Input AND-OR-INVERT Gate	19607D	B44
DM7460N	Dual 4-Input Expander	19609X	B46
DM7470N	J.K. Flip-Flop	33010F	B51
DM7472N	J.K. Flip-Flop (Master/Slave)	19634R	B53
DM7473N	Dual J.K. Flip-Flop (Master/Slave)	19616B	B54
DM7474N	Dual J.K. Flip-Flop	19615D	B55
DM7475N	Quad Latch	19621H	B56
DM7476N	Dual K.J. Flip-Flop (Master/Slave)	19614F	B57
DM7483N	4-Bit Adder	19613H	B62
DM7485N	4-BIT Comparator	33011D	B64
DM7486N	Quad Exclusive OR Gate	19608B	B65
DM7489N	64-BIT RAM	29360H	B67
DM7490N	Decade Counter	19618R	B68
DM7491AN	8-BIT Shift Register	29356X	B69
DM7492N	Divide-By-Twelve Counter	19619G	B70
DM7493N	4-BIT Binary Counter	19620X	B71
DM7495N	4-Bit Right-Shift Left-Shift Register	19625X	B73
DM7496N	5-BIT Parallel-In Parallel-Out Shift Register	29357R	B74
DM7497N	Binary Rate Multiplier	33012B	B75
DM74107N	Dual J-K Flip-Flop	29348X	B80
DM74121N	One Shot Multivibrator	29349R	B87
DM74123N	Dual One Shot Multivibrator	33013X	B89
DM74125N	TRI-STATE Buffer	30533X	B91
DM74126N	TRI-STATE Buffer	30610F	B92
DM74141N	Nixie Driver	31004A	B100

MANUFACTURER'S CURRENT LIST PRICES ARE ALWAYS CHARGED

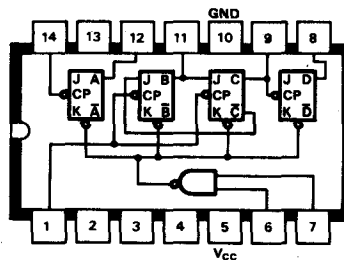
Semiconductors

Connection Diagrams

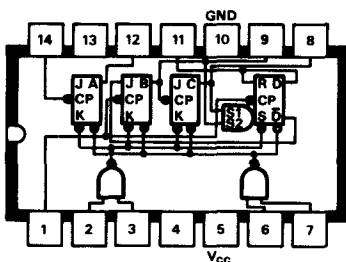
B67 **SN7489N**
SN74L89AN
64-bit RAM



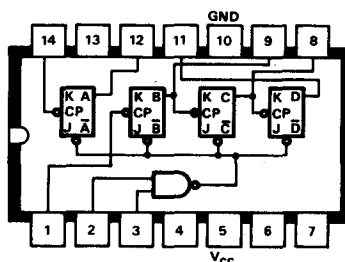
B70 **SN7492N**
Divide by 12 counter



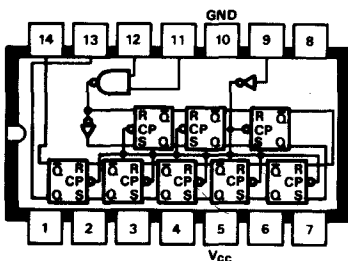
B68 **SN7490N**
SN74L90N
Decade counter



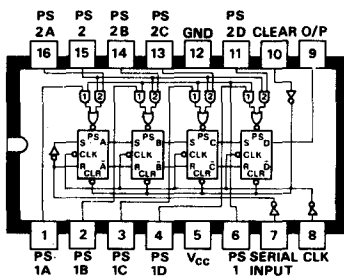
B71 **SN7493N**
4-bit binary counter



B69 **SN7491AN**
SN74L91N
8-bit shift register



B72 **SN7494N**
4-bit shift register



MANUFACTURER'S CURRENT LIST PRICES ARE ALWAYS CHARGED