

Proposed SK-201 installation in HA-14 Linear Amplifier by Bill Bear KL7YB

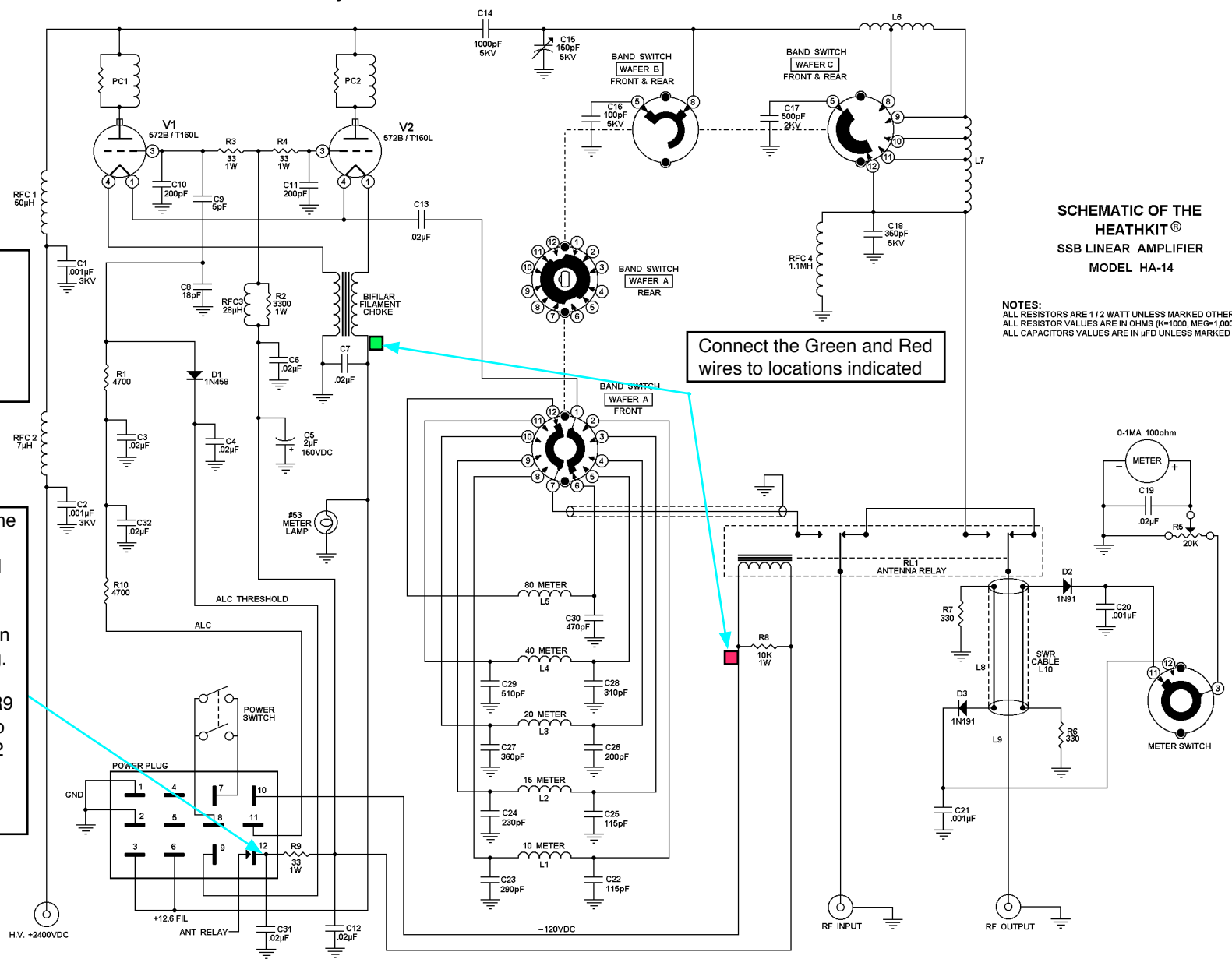
Connect the Black wire to any convenient ground

Unsolder the connection of C31 and R9 from connection to Pin 12 on power plug. Reconnect Yellow to R9 and Blue to C31-Pin 12 junction.

Connect the Green and Red wires to locations indicated

SCHEMATIC OF THE HEATHKIT® SSB LINEAR AMPLIFIER MODEL HA-14

NOTES:
ALL RESISTORS ARE 1/2 WATT UNLESS MARKED OTHERWISE.
ALL RESISTOR VALUES ARE IN OHMS (K=1,000, MEG=1,000,000).
ALL CAPACITOR VALUES ARE IN μ F UNLESS MARKED OTHERWISE.



H.V. +2400VDC

+12.6 FIL

-120VDC

RF INPUT

RF OUTPUT