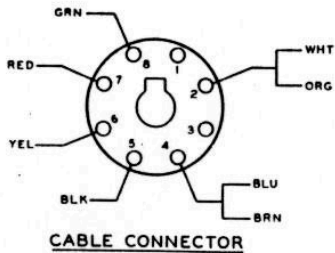
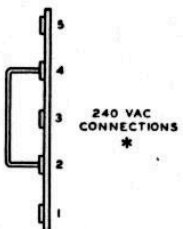
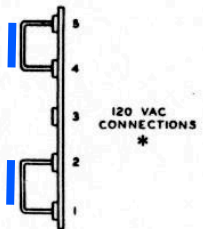
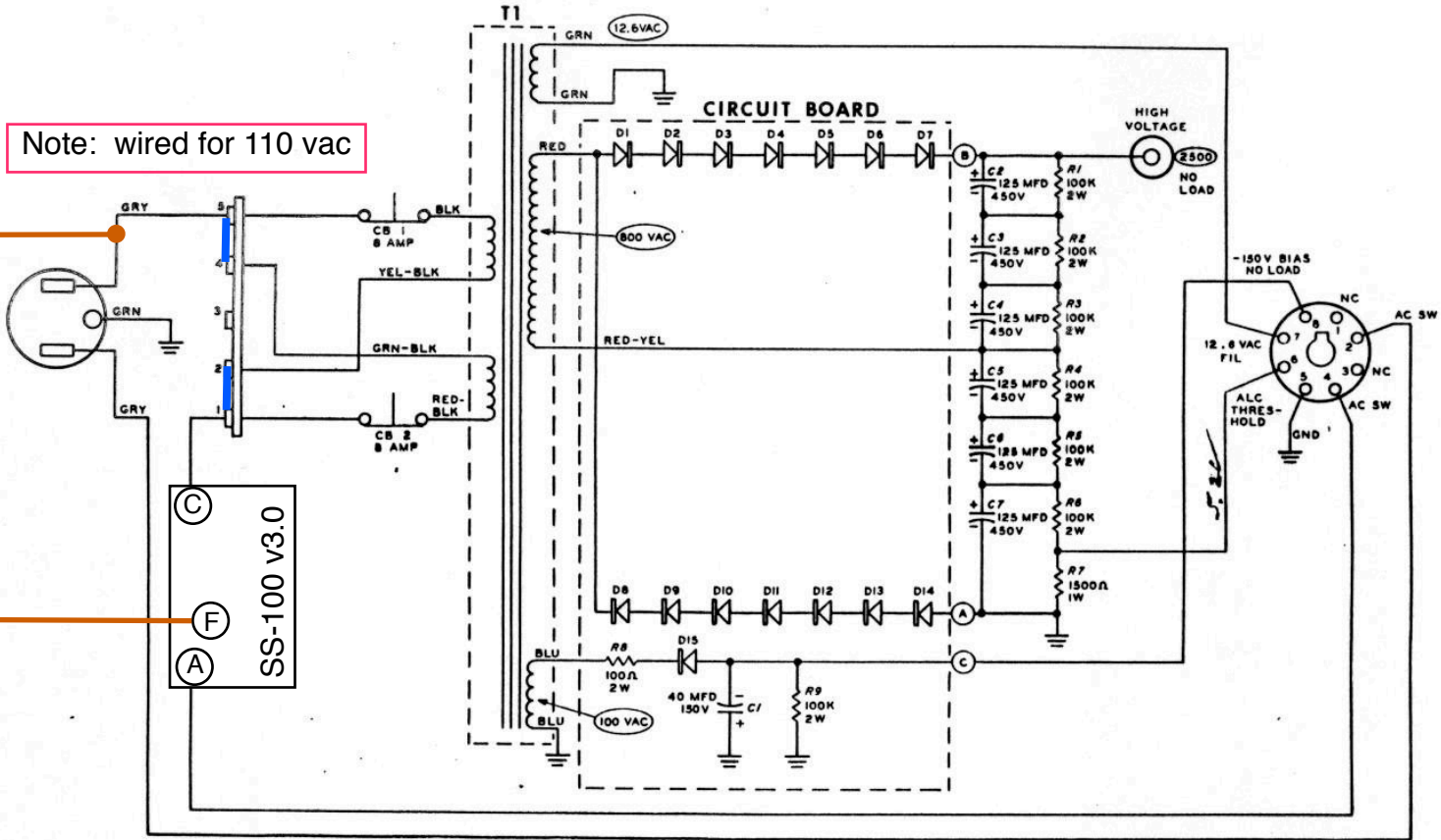


Proposed SS-100 V3.0 installation in HP-24 Power Supply
by Bill Bear KL7YB

Note: wired for 110 vac



ALL RESISTOR VALUES ARE IN OHMS (K = 1000).
ALL CAPACITOR VALUES ARE IN μ F.
⊖ INDICATES VOLTAGE READING.
ALL VOLTAGES ARE DC POSITIVE UNLESS MARKED OTHERWISE.
ALL VOLTAGES ARE MEASURED FROM POINT INDICATED TO CHASSIS GROUND,
EXCEPT AC VOLTAGES ON POWER TRANSFORMER WINDINGS.
VOLTAGE READINGS TAKEN WITH AN 11 MEGOHM INPUT VTVM. A HIGH VOLTAGE
DC PROBE SHOULD BE USED WITH THE VTVM TO MEASURE THE B- VOLTAGE.
VOLTAGES MAY VARY $\pm 10\%$. REFER TO THE X-RAY VIEW FOR THE PHYSICAL LOCATION OF PARTS ON THE
CIRCUIT BOARD.

* OPTIONAL: SEE RIGHT-HAND COLUMN ON PAGE 12.

**SCHEMATIC OF THE
HEATHKIT®
AC POWER SUPPLY
MODEL HP-24**